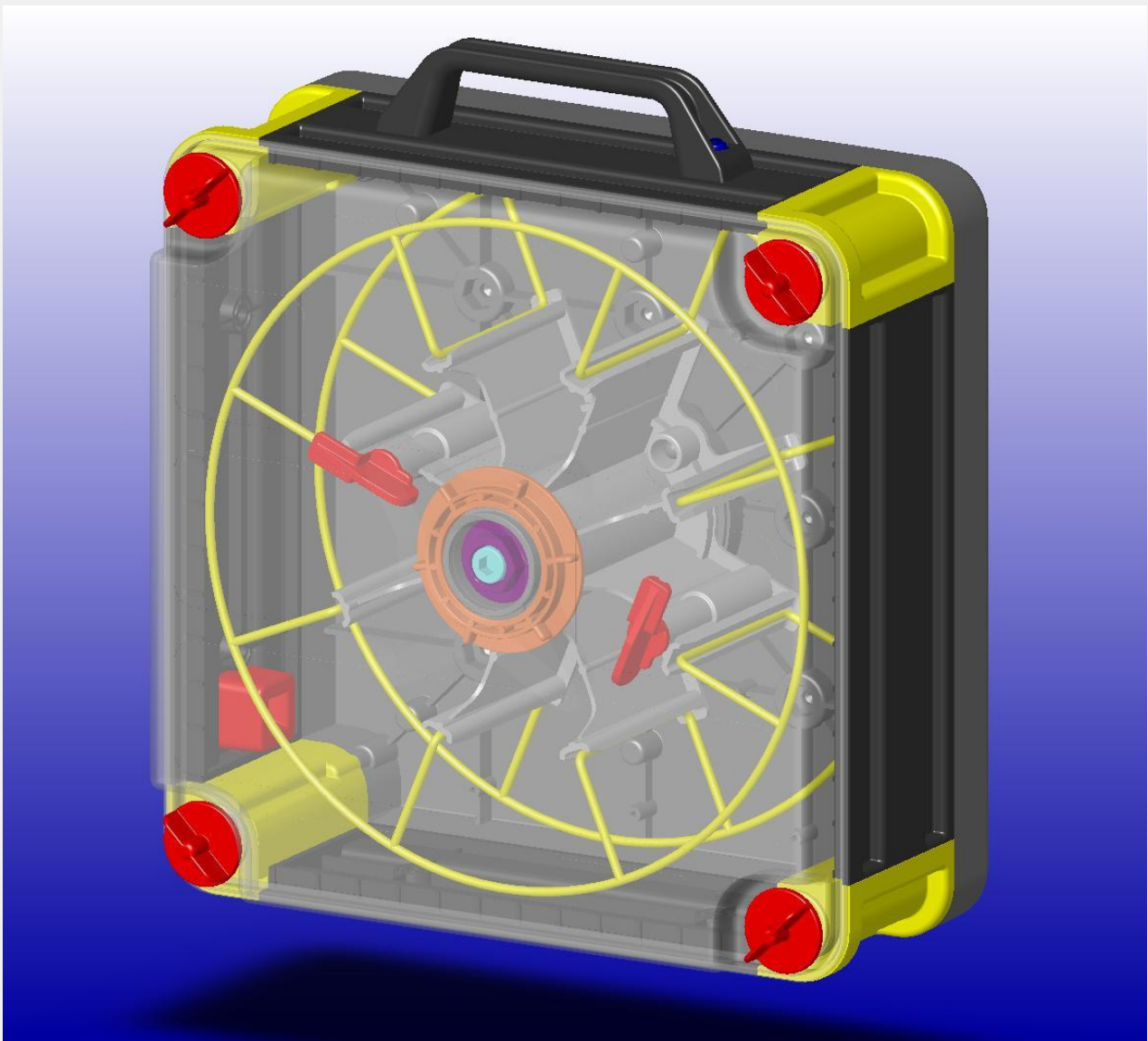


HELMUT
WOLLNITZKE



CASE K 300



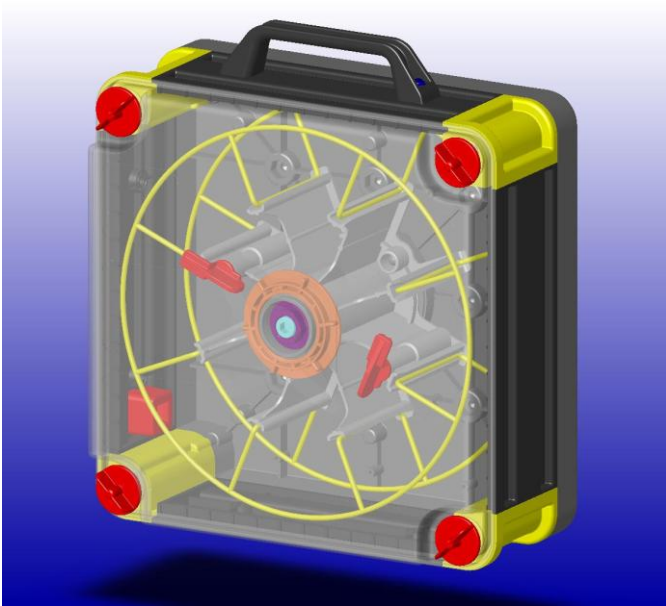
HELMUT WOLLNITZKE

Spielberg 72 D-95100 Selb

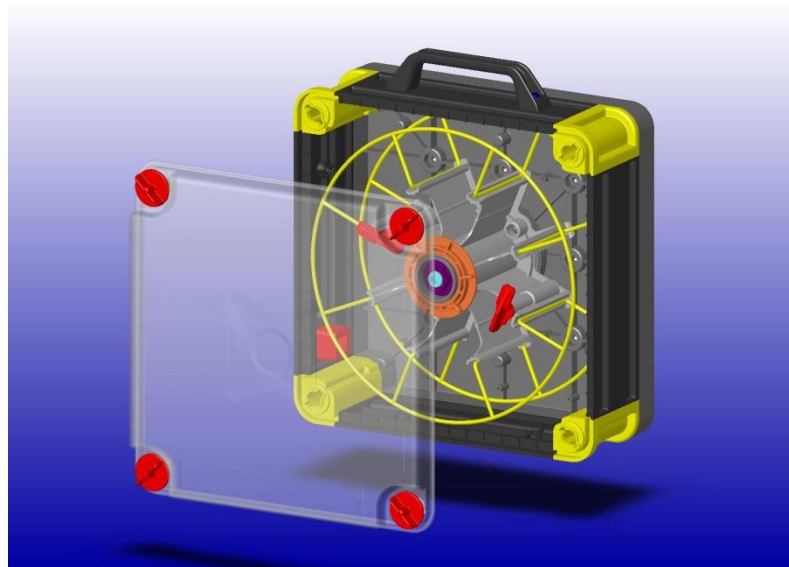
09287/4061 Fax 09287/3859

info@wollnitzke.de www.wollnitzke.de

Case



- for baskets up to 22.5 kg wire
- available as single and double case
- with wire feed
- with electronic control
- expandible



CE

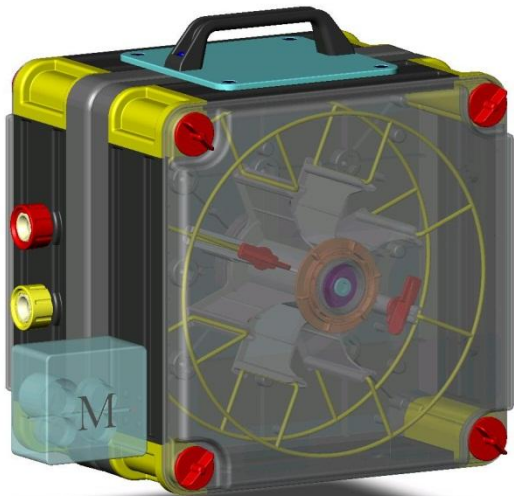
HELMUT WOLLNITZKE

Spielberg 72 D-95100 Selb

Telephone + 49 (0) 9287 40 61 Fax + 49 (0) 9287 38 59

e-mail: info@wollnitzke.de web: www.wollnitzke.de

Case



The case can be bolted back to back for a simultaneous operating of two wire coils. The second case can be assigned with electronic or a feed unit.





We reserve all rights in connection with this document.
Copyright according to ISO 16016. © 2013 Helmut Wollnitzke

Misprints, errors and technical changes excepted.